



**SPAN**

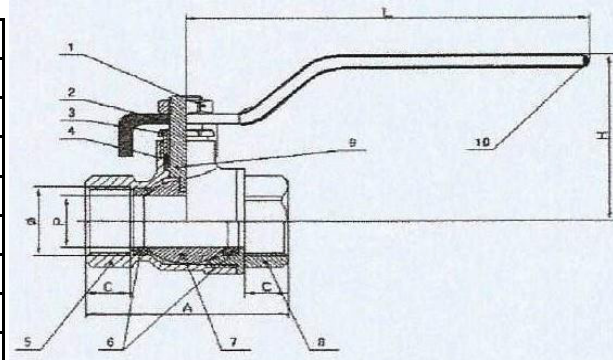
WCM PL 000006

# TW Handle Ball Valve

**FULL BORE 350 W.O.G GREEN HANDLE**

**PN25 (BS EN 13828)**

1	HEAD PART	BRASS MS 58	NICKEL
2	HANDLE	STEEL	CHROME
3	PRESS NUT	BRASS MS 58	
4	GASKET	PTFE	
5	BODY	BRASS MS 58	NICKEL
6	SEAT	PTFE	
7	BALL	BRASS MS 58	CHROME
8	BONNET	BRASS MS 58	NICKEL
9	STEM	BRASS MS 58	



**Description :**

MS 58 BRASS BALL VALVE (F+F)

FORGING OF CASTING BRASS BODY

STEEL HANDLE WITH PLASTIC SLEEVE

TEMPERATURE 10-100 C

PRESSURE :16 BAR

APPLICATION : WATER,OIL,GAS



**STANDARD BORE RED HANDLE (PN15 BS EN13828)**

CODE	SIZE	(BOX)	(CTN)
TWRB 15	1/2"	12	144
TWRB 20	3/4"	12	144
TWRB 25	1"	6	60
TWRB 40	1 1/2"	6	36
TWRB 50	2"	4	24
TWRB 75	3"	2	8

